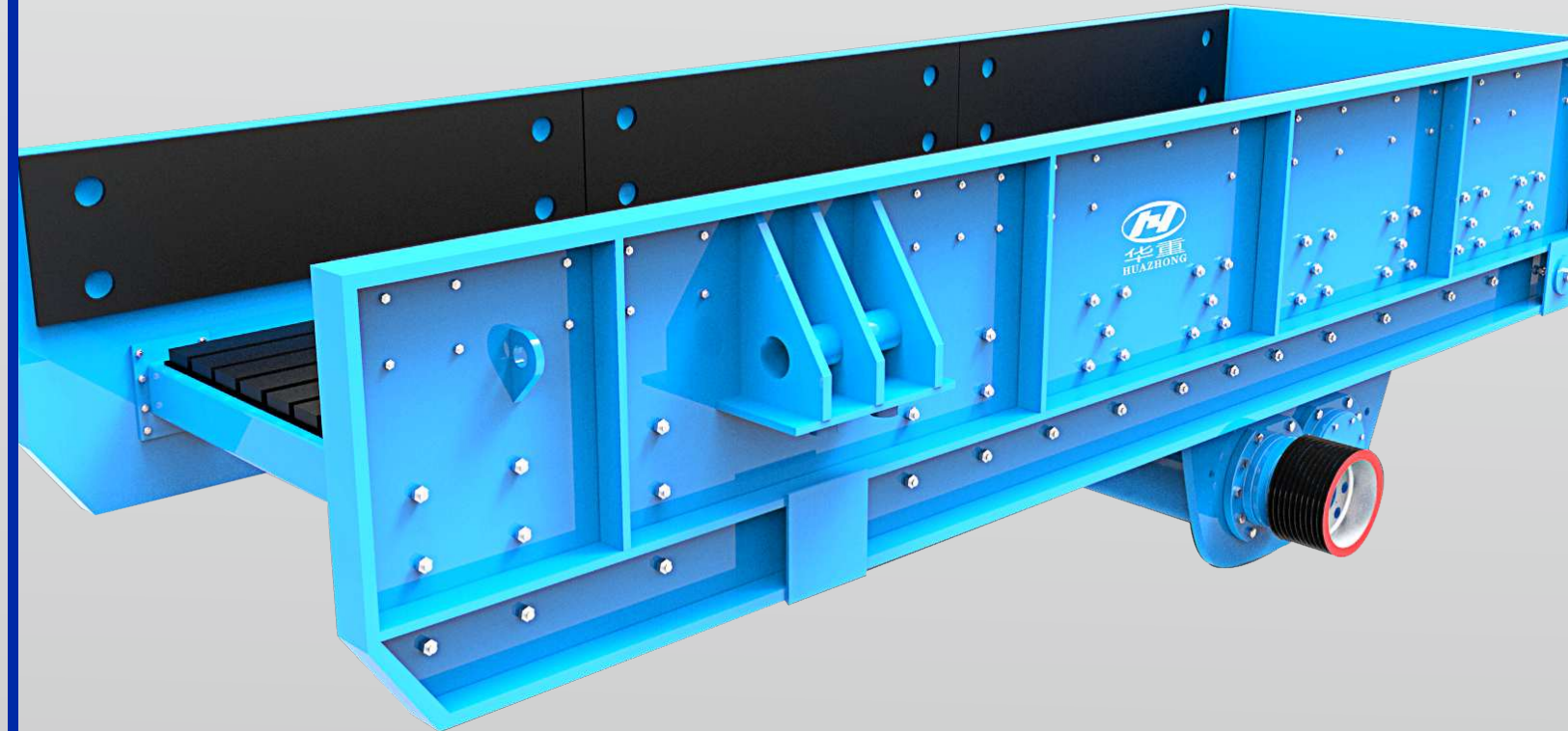


VALUE BUILT UPON SERVICES

In order to ensure that your equipment is under the best condition, it is highly suggested to use parts, components and recommended lubrication oil from Luoyang Dahua.

ZSW SERIES

Vibrating Feeder



LUOYANG DAHUA
HEAVY INDUSTRY SCIENCE & TECHNOLOGY CO., LTD.

Add. : No.280 Guanlin Road,Luoyang,471023 P.R.China.

Tel. : +86-379-62669977 62669978

Fax : +86-379-62669988

E-mail: overseas@huazhi.com

Web : www.lydhcrusher.com

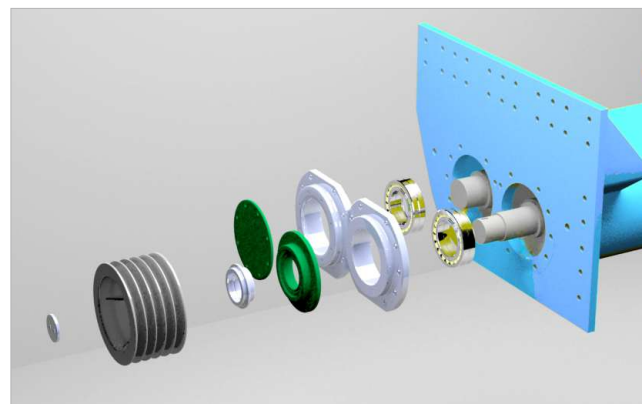
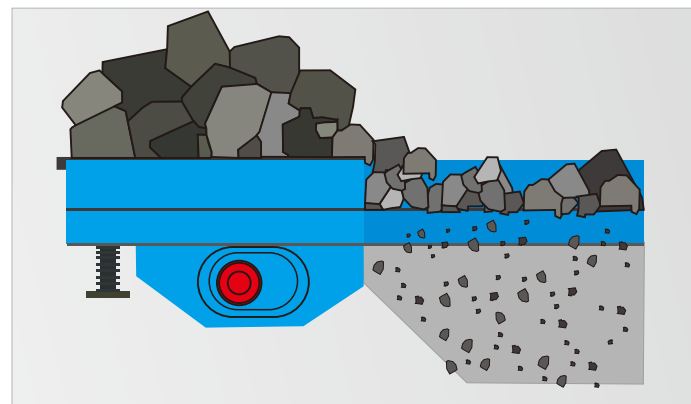


DESCRIPTION

ZSW Series Vibrating Feeder is designed based on the principle of exciting force generated by two eccentric shafts. It is mainly used for continuous and even feeding before primary crushing. Besides feeding, at the same time, it works as pre-screening. The pre-setting gap between grizzly bars avoid unnecessary power consumption of the following crushers, which improves the crushing efficiency . ZSW Series Vibrating Feeder is widely used in feeding process of metallurgy ,mining industry,construction,chemical industry and construction aggregate .

FEATURES

- The gap between grizzly bars can be adjusted ,so it has wide application and makes good pre-screening performance.
- The feeding for the primary crushing can be controlled by adjusting power speed.
- Stable vibration and low noise makes it safe and reliable when start and stop the machine .
- It is optional to add the extra high for side plate and extra liner .It is optional to change whole plate and steel plate with drilled-holes instead of grizzly bars in the pre-screening part , so it can be used in different working conditions .



TECHNICAL SPECIFICATIONS

Model	Max. Feed Size (mm)	Rotating Speed (r/min)	Capacity (t/h)	Power (kw)	Dimension (mm)
ZSW380×95	500	500~800	~150	11	3970×2259×1880
ZSW420×110	580	500~800	150~280	15	4392×2519×2003
ZSW490×110	580	500~800	150~350	18.5	5093×2545×2014
ZSW600×130	750	500~800	220~560	30	6124×2863×2051
ZSW600×150	900	500~800	260~620	37	6271×2369×2698
ZSW600×180	1050	600~850	400~1000	45	6375×2653×2913
ZSW600×210	1200	600~850	550~1250	45	6417×2880×3159

Remark: The throughput capacity listed in the table are for reference only. All the throughput capacity will be affected by the inclined angle of feeder ,gap between grizzly bars, vibrating frequency, materials and the conditions of work site.

APPLICATIONS

