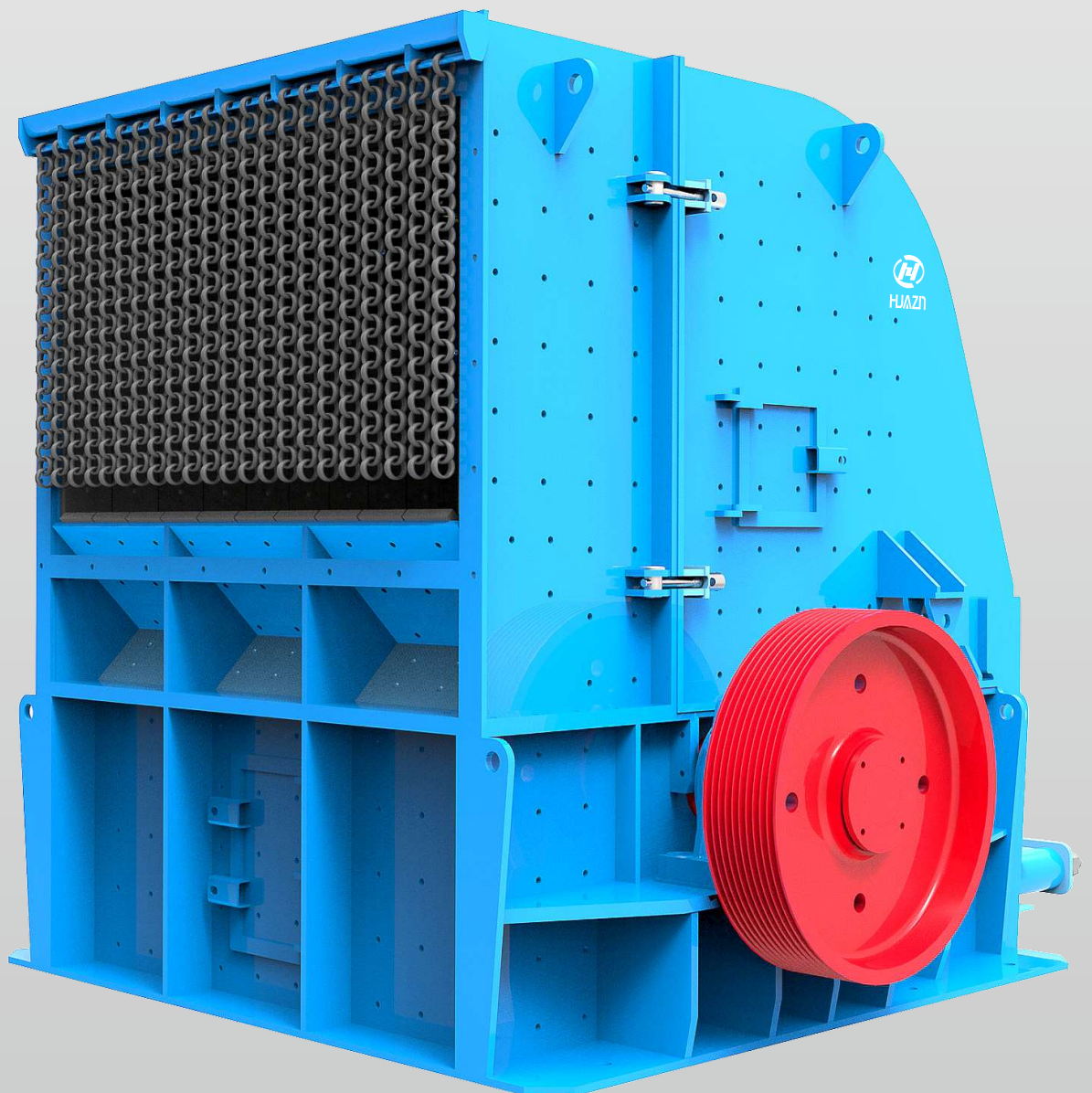
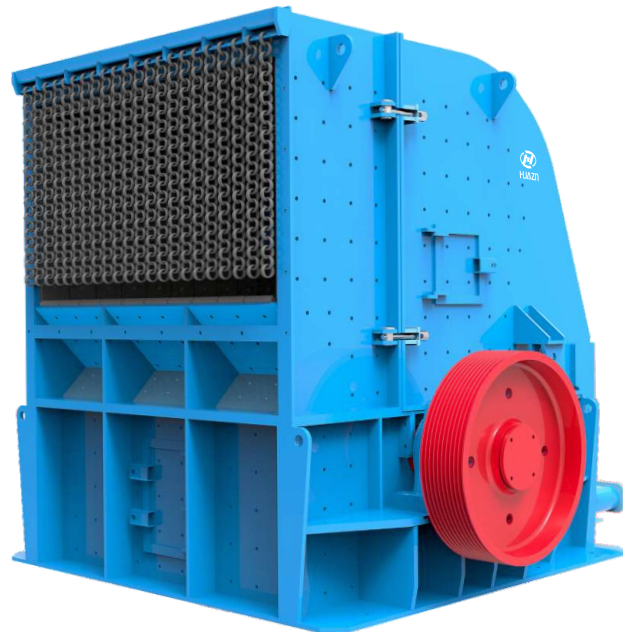


PFO SERIES

Impact Crusher



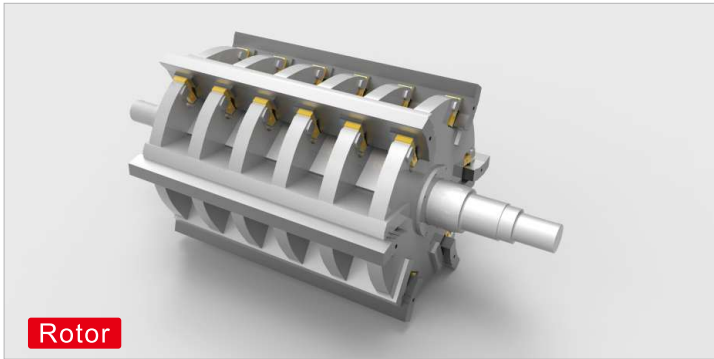


DESCRIPTION

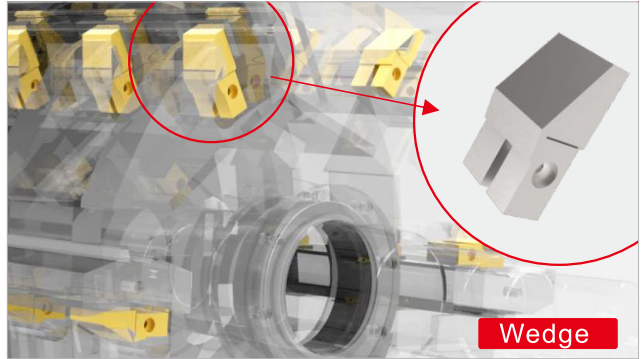
PFQ Impact Crusher is a newly developed series impact crusher with high efficiency. It has smart structure and can be applied to primary crushing, secondary and fine crushing of a variety of materials with compression strength less than 250Mpa. It can be widely used for sand and aggregate processing in water conservancy and hydropower projects and other infrastructure constructions, such as highway, high-speed rail, building materials, mining and urban construction waste treatment.

FEATURES

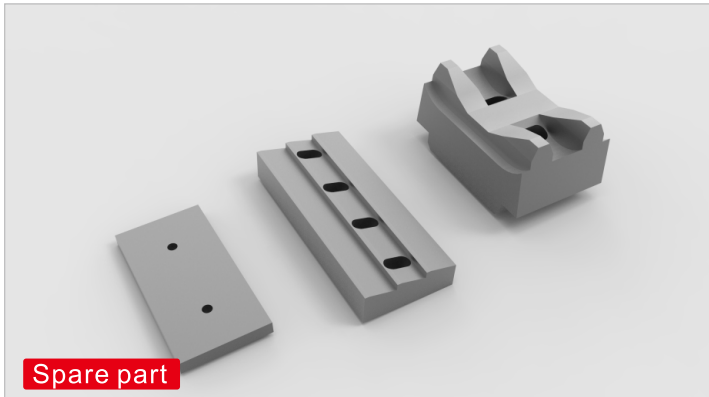
- Specially designed three crushing chambers, which improves the production capacity, makes the feed size bigger and the product shape better.
- The optimally designed rotor provides powerful rotational inertia and strong impact force of hammer head, which improves the productivity and increases the crushing ratio.
- Specially designed anti-wear alloy C shape hammer keeps the shape of impact face in product life cycle. It ensures that the product shape and particle size distribution is very stable.
- Standard modular designed liner and tooth impact plate have common-ability and interchangeability, which improve the utilization ratio and prolong the machine's service life.
- Special hammer fitting structure improves hammers' stability and convenient dismounting, it also greatly improve the work efficiency.
- The discharging opening size of the machine can be adjusted according to the requirement of product size and particle size distribution.
- The standard hydraulic lifting device will be provided with the machine. It is optional to supply special lifting tools for replacing hammers, which is flexible and can be easily maintained.



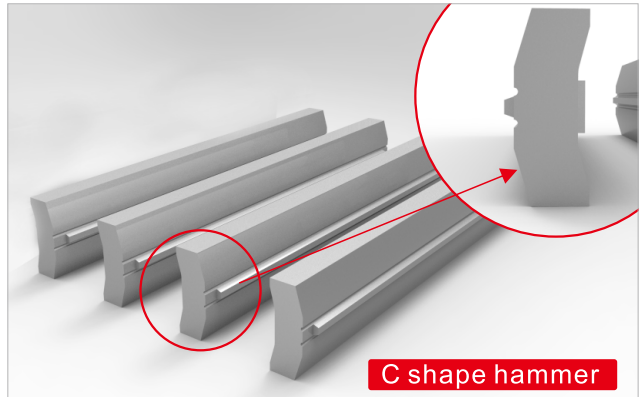
Rotor



Wedge

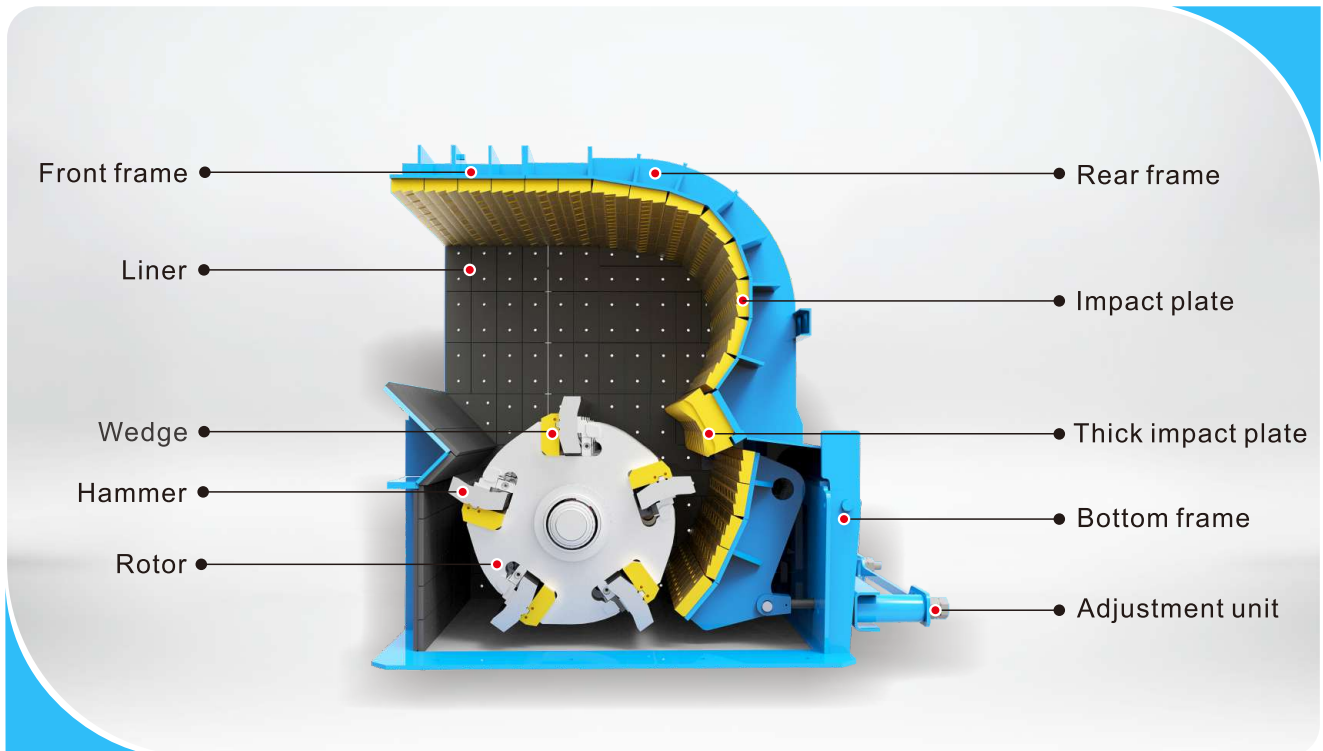


Spare part



C shape hammer

STRUCTURE

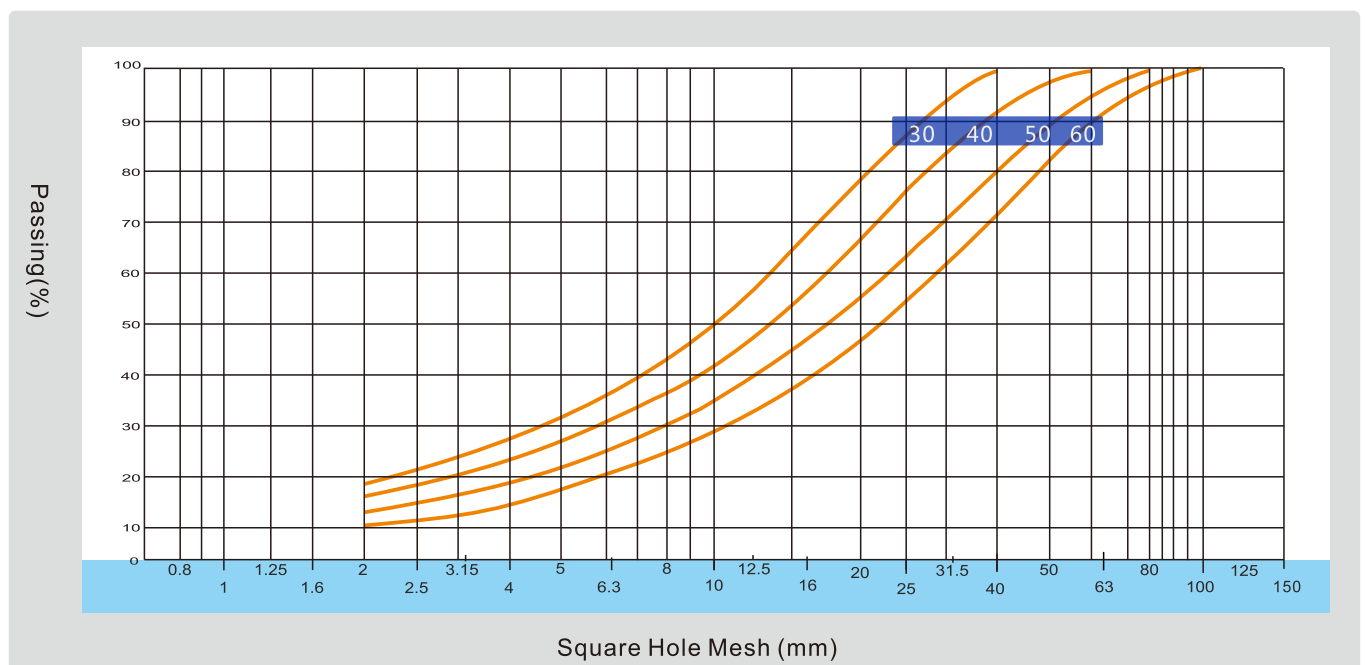


TECHNICAL SPECIFICATIONS

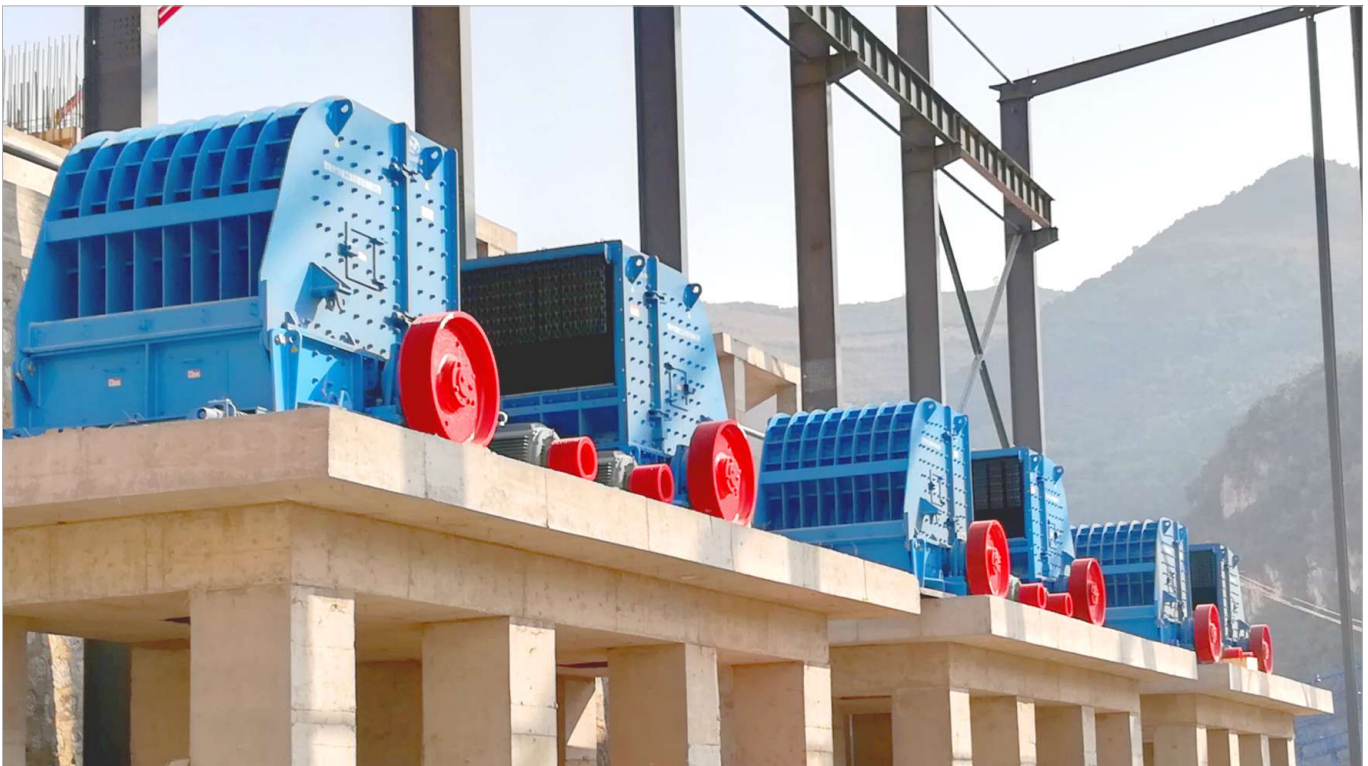
Model	Max. Feed Size (mm)		Discharge Size (mm)	Capacity (t/h)	Power (kw)
	<150MPa	<250MPa			
PFQ1108	300	150	30	50~100	75
PFQ1110	400	200	35	80~150	110
PFQ1310	400	200	40	140~200	160
PFQ1313	400	250	40	180~260	200
PFQ1315	400	300	40	200~300	250
PFQ1320	400	300	40	300~400	2×160
PFQ1520	500	400	40	350~550	2×250
PFQ1823	500	400	40	550~850	2×400
PFQ2223	600	400	40	850~1200	2×560

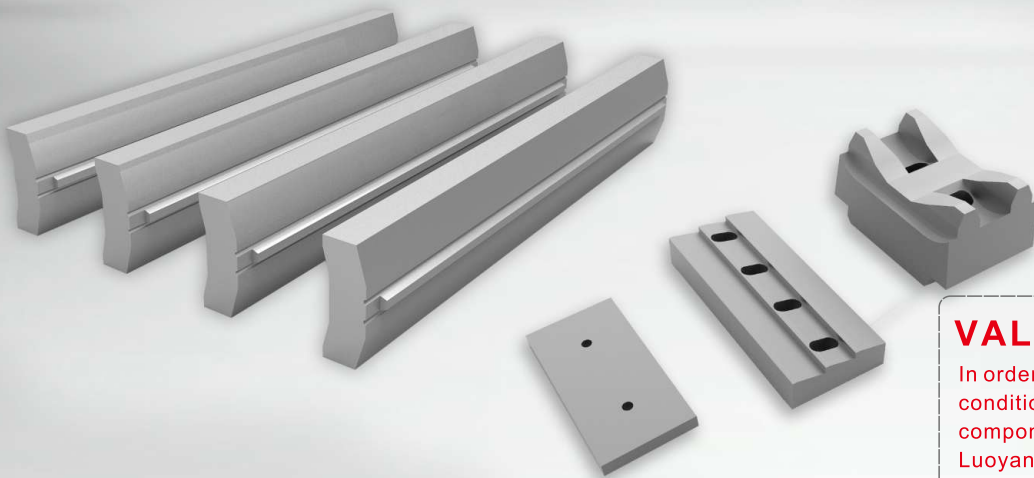
Remark: The production capacity listed in the table is based on limestone with the loose density 1.6/m³. The feed should be moderate. If the feed is too big, it will reduce the capacity and increase the wear.

GRADATION CURVES



APPLICATIONS





VALUE BUILT UPON SERVICES

In order to ensure that your equipment is under the best condition, it is highly recommended to use parts, components and recommended lubrication oil from Luoyang Dahua.



LUOYANG DAHUA
HEAVY INDUSTRY SCIENCE & TECHNOLOGY CO., LTD.

Add. : No.280 Guanlin Road, Luoyang, 471023 P.R.China.

Tel. : +86-379-62669977

Fax : +86-379-62669988

E-mail: overseas@huazhi.com

Web : www.lydhcrusher.com