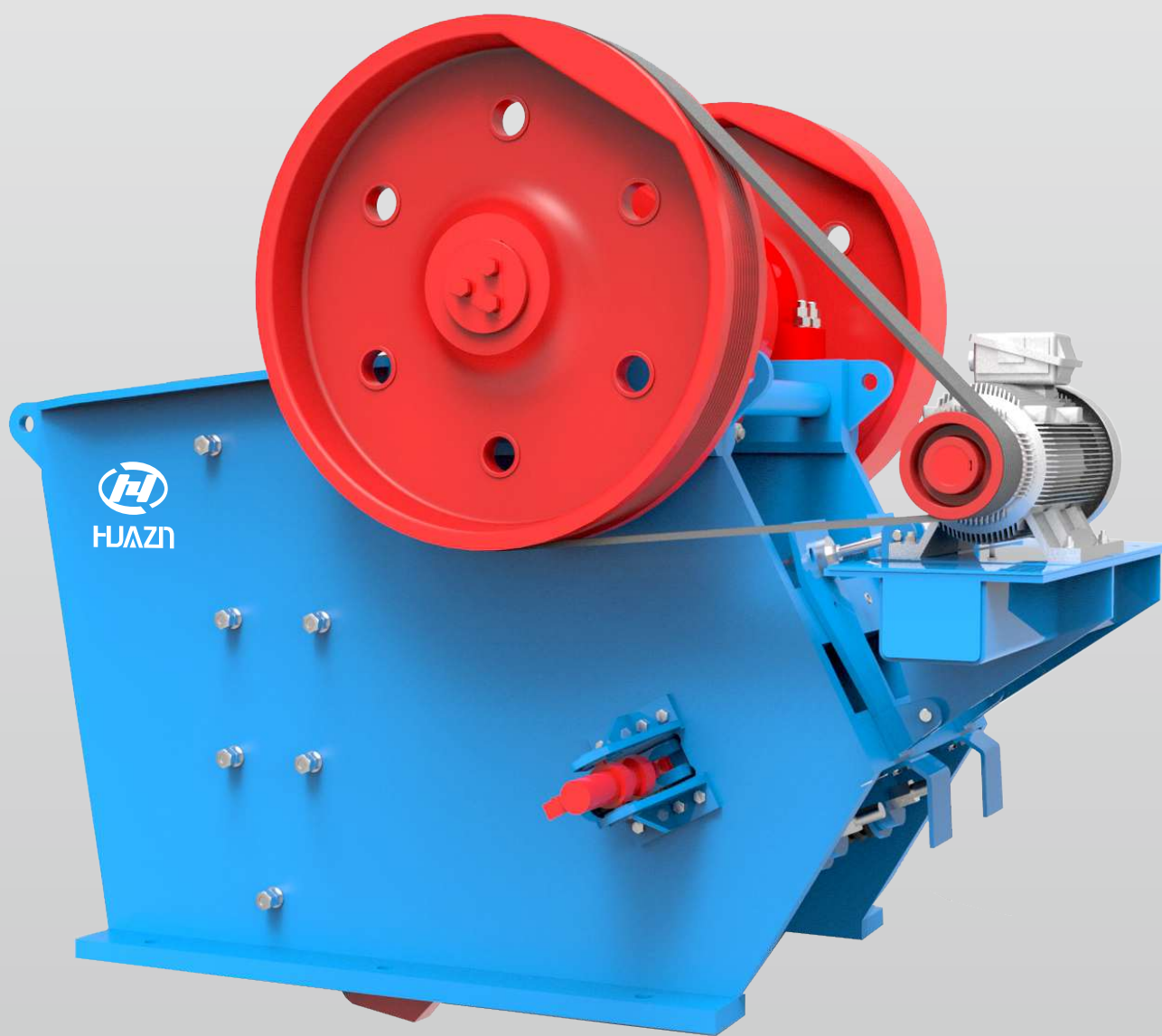
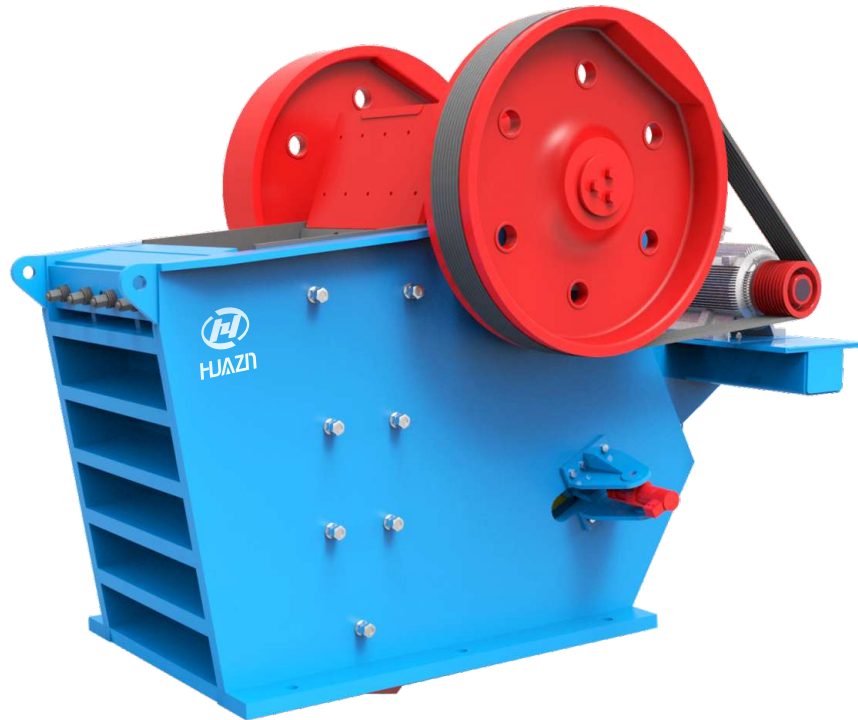




# ASD SERIES

Jaw Crusher





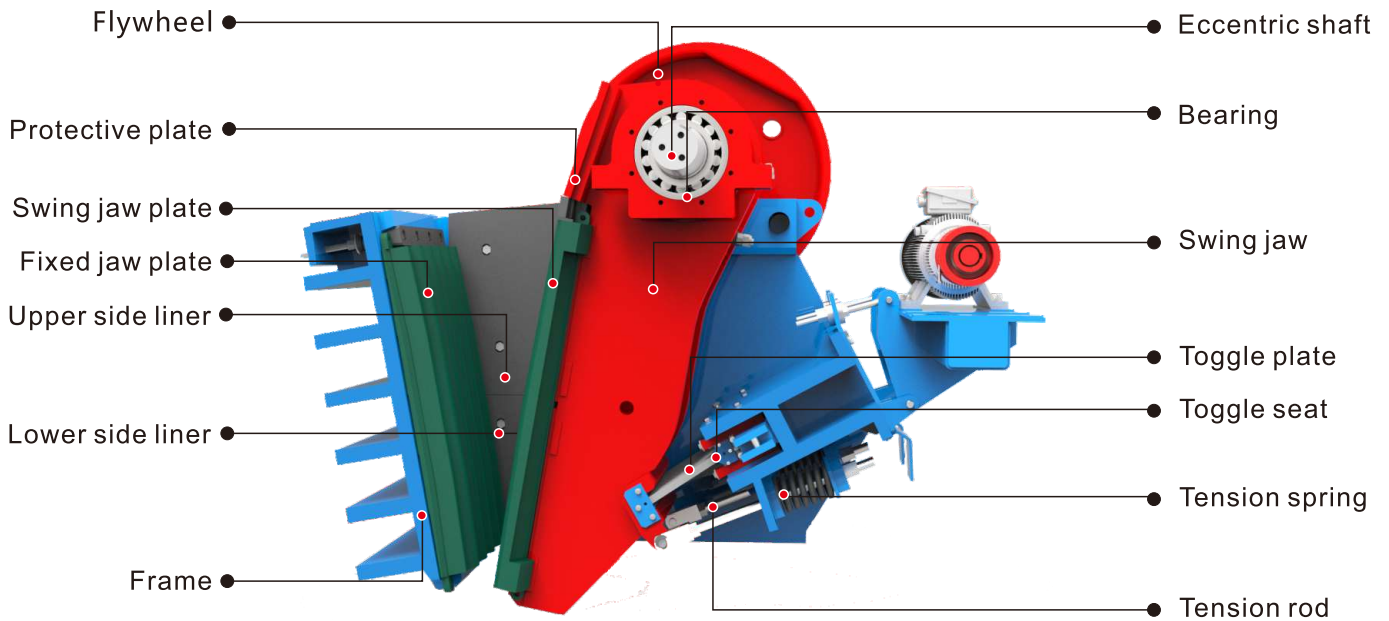
## DESCRIPTION

ASD Series Jaw Crusher is the new generation of jaw crusher with optimized and developed design, which is based on absorbing the international advanced technology. Compared with the equivalent-size crusher, it exceeds with better capacity, bigger crushing ratio, lower running cost, as well as the friendly, stable and reliable operation. ASD jaw crusher is the preferred product for primary crushing.

## FEATURES

- Newly V-type of crushing chamber: the crushing capacity will be highly increased, the product size will be finer and crushing performance will be better.
- The CSS can be adjusted to even smaller, which makes the product size finer.
- The discharge opening shall be adjusted by the hydraulic cylinder together with wedges, which will be operated conveniently and efficiently.
- In order to meet the different needs there are two different installation design for motor: it can be integrated installation with the crusher frame or installed on the ground.
- The integrated structure of main bearing housing and swing jaw makes the transportation more easier and the installation more convenient.
- The optimal moving trail and the counterweight balance reduces the dynamic load, vibration amplitude and noise, and stable operation.
- Smart structure, stable and reliable, easy and convenient maintenance.
- The toggle plate and the swing jaw plate have the lateral deviation function.
- Compared with the normal type of crushing chamber, the new type of crushing chamber will make the throughput capacity increased by 15~20%.

## STRUCTURE

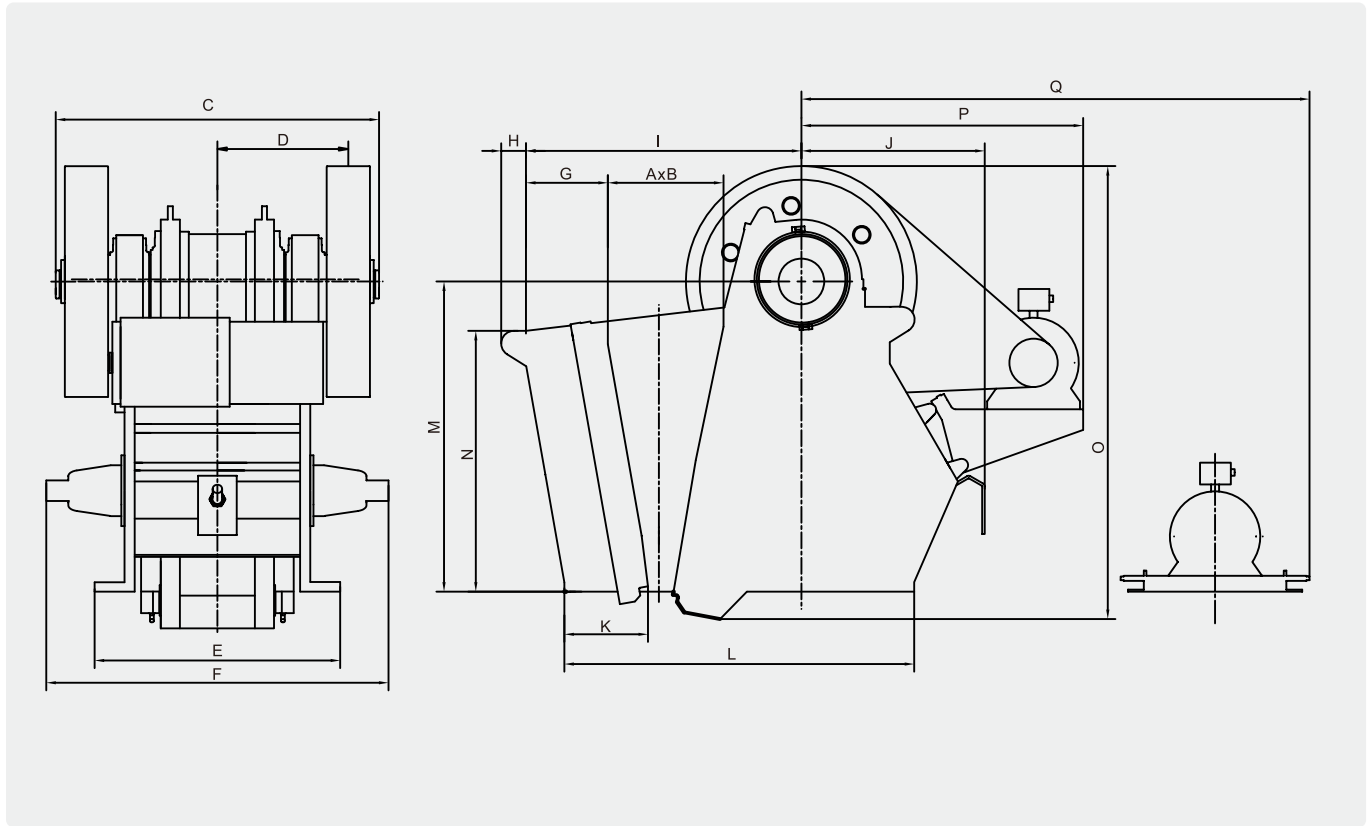


## TECHNICAL SPECIFICATIONS

Model	Feed Opening (mm)	CSS (mm) /Throughput Capacity(t/h)														Power (kw)
		50	65	75	90	100	115	125	150	180	200	220	250	280	300	
ASD3625	910x630	125	145	160	180	195	215	225	225	290	320					90
ASD4230	1070x760		195	215	245	260	285	305	345	390	420	450				110
ASD4836	1220x910			280	310	330	365	385	440	495	535	570	620			160
ASD5442	1370x1070				365	395	440	470	535	615	670	720	800	880		185
ASD6048	1520x1220						495	530	620	720	785	850	950	1050	1110	220

- Remarks:**
1. The capacity listed from the table is the corresponding parameters to crush the rock with the loose density of 1.6t/m<sup>3</sup> (a feed material with an average specific gravity of 2.7t/m<sup>3</sup>).
  2. The processing capacity shall be changed according to the different materials and different feeding.
  3. The CSS refers to Closed Side Setting. The measuring method will be decided by the tooth profile of the jaw plates. The processing capacity and the product size shall be changed according to the different tooth profile.

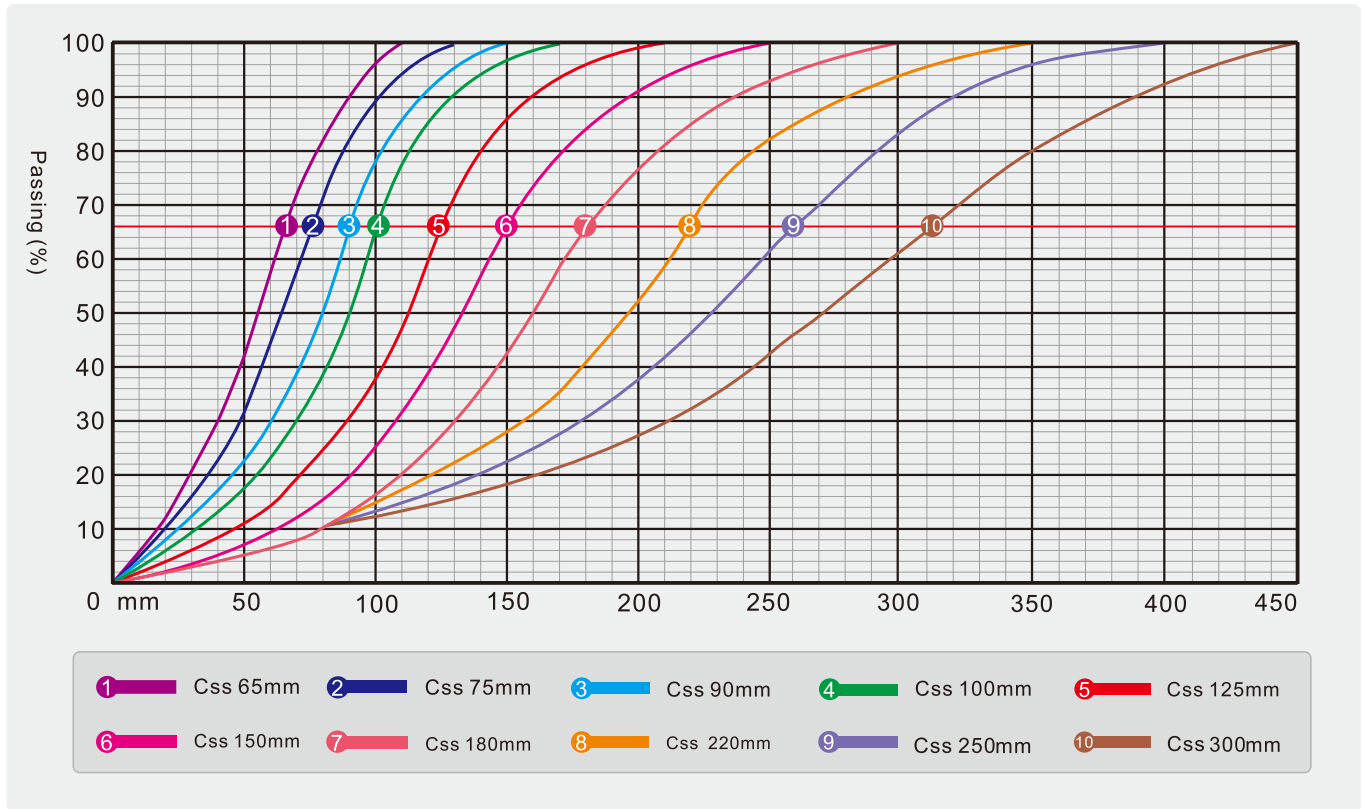
### DIMENSION



### DIMENSION TABLE

Model	A	B	C	D	E	F	G	H	I	J	K	L	M	N	O	P	Q
ASD3625	910	630	2000	850	1460	2150	420	150	1540	1160	490	2090	1760	1410	2730	1880	
ASD4230	1070	760	2290	940	1700	2520	550	180	1930	1180	620	2480	2120	1750	3120	1940	
ASD4836	1220	910	2540	2540	1930	2690	640	190	2170	1440	710	2750	2440	2050	3560	2220	
ASD5442	1370	1070	2860	2860	2100	3110	710	200	2600	1520	810	3250	2860	2450	4120		3930
ASD6048	1520	1220	3090	3090	2300	3420	820	250	3030	1650	930	3700	3290	2780	4690		3980

## GRADATION CURVES



## APPLICATIONS





## VALUE BUILT UPON SERVICES

In order to ensure that your equipment is under the best condition, it is highly recommended to use parts, components and recommended lubrication oil from Luoyang Dahua.



## LUOYANG DAHUA

HEAVY INDUSTRY SCIENCE & TECHNOLOGY CO., LTD.

Add. : No.280 Guanlin Road, Luoyang, 471023 P.R.China.

Tel. : +86-379-62669977 62669978

Fax : +86-379-62669988

E-mail: overseas@huazn.com

Web : www.lydhcrusher.com